

OilGuard Ex M

Maritime Online Oil in Water Analyzer (IMO MEPC.107)



Applications

- ODME for slop tank overboard discharge
- ODME for bilge water overboard discharge

Industries

- Crude oil production offshore
- Ship building

Advantages

- Well-proven UV-Fluorescence measuring principle
- True non-contact measurement in a free-fall stream
- Dual-beam optics for highest accuracy and stability
- Fast recalibration with checking unit
- Minimum maintenance requirements
- Correlates to the IMO Guideline MEPC.107

OilGuard Ex M

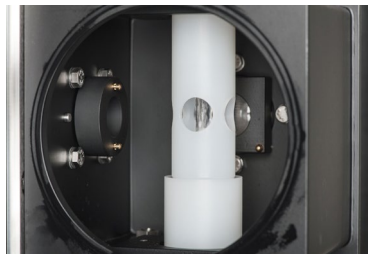
Maritime Online Oil in Water Analyzer (IMO MEPC.107)

Innovations with tangible benefits



Rugged and user friendly design

The OilGuard Ex M is engineered to withstand harsh offshore environments. The instrument has proven its reliability on numerous vessels FSO's and FPSO's. Routine maintenance is quick and easy; no tooling and no chemicals are required.



Negligible maintenance / lowest costs of ownership

SIGRIST introduced the well-proven true non-contact measurement more than 40 years ago:

- No ultrasonic cleaning device is needed.
- Wetted parts in PVDF material avoid contamination of the optics and prevent build-up of scaling.



Instant reading & calibration verification

Quick reading and calibration verification can be achieved with SIGRIST's unique secondary solid reference standard:

- The solid reference standard is inserted within a few seconds
- No chemicals are needed for recalibration or for cleaning
- No special tooling is required



Reliable measurement

The instrument uses a sophisticated dual-beam optical setup with optimized wavelength configuration:

- Guarantees highest accuracy and stability of the measurement.
- Automatically compensates fluctuations and light source ageing.
- The relevant HC components are measured.
- Reduces the impact of solids.

Technical Data

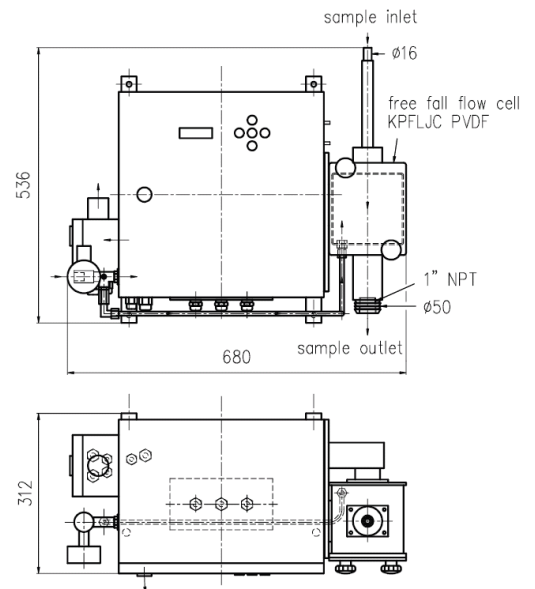
Instrument data

Measuring principle:	UV-Fluorescence
Measuring range:	0..100ppm
Calibration:	according to IMO resolution MEPC.107(49)
Resolution:	+/- 0.5 ppm
Reproducibility:	+/- 2 %
Response time:	< 5 s
Installation:	Online side stream
Sample connection:	Inlet: 3/4" NTP / 16 mm
Outlet:	2" NTP / 50 mm
Material, wetted parts:	PVDF
Material housing:	316 SS / 1.4404
Sample flow rate:	1.3 .. 1.9 gpm / 5 .. 7 l/min
Sample pressure:	atmospheric
Sample temperature:	max. 203 °F / 95 °C
Ambient temperature:	-4 .. +131 °F / -20 .. +55 °C
Ambient humidity:	0 .. 100 % RH
Protection degree:	IP65
Ex protection class:	Ex II 2G Ex px IIC T4 (Zone 1)

Power supply:	230 V 50/60 Hz, 100/115/130 V
Power input max:	65 W
Dimensions:	12 x 20 x 27" 31 x 53 x 68 cm (W x L x H)
Weight:	82 lbs. / 37 kg

Operation

Display:	True text LC-Display
Outputs:	1x 0/4 .. 20 mA, galvanic separated data logger Alarm contact 15 ppm Optional: Profibus DP



Your representative:



photometer.com/c3ec

SIGRIST
PROCESS-PHOTOMETER

SIGRIST-PHOTOMETER AG
Hofurlistrasse 1 · CH-6373 Ennetbürgen
Tel. +41 41 624 54 54 · Fax +41 41 624 54 55
www.photometer.com · info@photometer.com